

COMBINATION CLIP AND BOLT
STEEL SHELVING



ASSEMBLY AND ANCHORING
INSTRUCTIONS



Quality Products ★ Changed Lives ★ A Safer California

CALIFORNIA

PRISON INDUSTRY AUTHORITY

STONE		AUTUMN HAZE	
OPEN UNITS			
781000.1000	12X36X84	781000.2000	12X36X84
781000.1010	15X36X84	781000.2010	15X36X84
781000.1020	18X36X84	781000.2020	18X36X84
781000.1030	24X36X84	781000.2030	24X36X84
CLOSED UNITS			
781100.1000	12X36X84	781100.2000	12X36X84
781100.1010	15X36X84	781100.2010	15X36X84
781100.1020	18X36X84	781100.2020	18X36X84
781100.1030	24X36X84	781100.2030	24X36X84

State of California
Prison Industry Authority

560 East Natoma Street
Folsom, California

January 16th, 2019
Product Design and Development

(RE: #6864)

TABLE OF CONTENTS

Page 1 – Description Data

Page 2 – Open Shelf Unit

Page 3 – Sway Brace

Page 4 – Solid Panel Option

Page 5 – Floor Bolt Hole Pattern

Page 6 – Base and Shelf View

Page 7 – Sway Bracket View

Page 8 – Solid Panel View

Page 9 – Shelf Attachment Option View

Page 10 – Floor Anchoring Detail – Concrete

Page 11 – Floor Anchoring Detail – Wood Deck/Wood Joist

Page 12 – Floor Anchoring Detail – Wood Deck/Metal Joist

Page 13 – Floor Anchoring Detail – Metal Joist/Metal Joist

PIA – INDUSTRIAL STEEL SHELVING

DEFINITION:

1. Open starter unit is a complete shelf unit 36” wide by 84” high, including all assembly and mounting hardware and the following steel components.
 - a. 8 ea. (18 gauge) Shelves (250 lbs. load capacity each)
 - b. 4 ea. (11 gauge) Corner Post
 - c. 24 ea. (14 gauge) Shelf Clips
 - d. 4 ea. (11 gauge) Foot Mounting Brackets
 - e. 6 ea. (11 gauge) Back Sway Braces
 - f. 8 ea. (11 gauge) Side Sway Braces

2. Closed starter unit is a complete shelf unit, same as above except for the following changes; instead of back and side ways braces (e. & f.) the shelf unit has;
 - 2 ea. (22 gauge) Side Panels
 - 1 ea. (22 gauge) Back Panel
 - 1 ea. (18 gauge) Base Front

3. Accessories and single components offered are:
 - a. Above listed items
 - b. (18 gauge) base side
 - c. (22 gauge) label holder
 - d. Reinforcing Angles, (which, if used, increases load capacity from 250 lbs. to 400 lbs. per shelf).
 - e. Door assembly Units (pre-assembled) including;
 - 1 ea. (14 gauge) Door Frame
 - 2 ea. (20 gauge) Reinforced Doors (2-point locking, key-lock handle and three (3) hinges per door)
 - f. (20 gauge) Bin Divider
 - g. (18 gauge) Bin Front

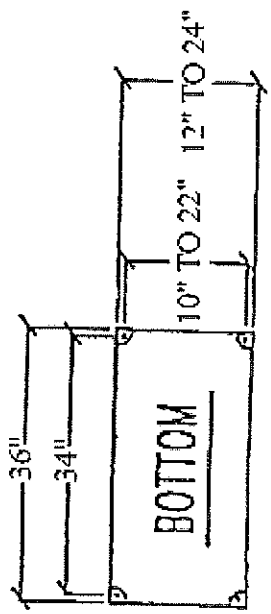
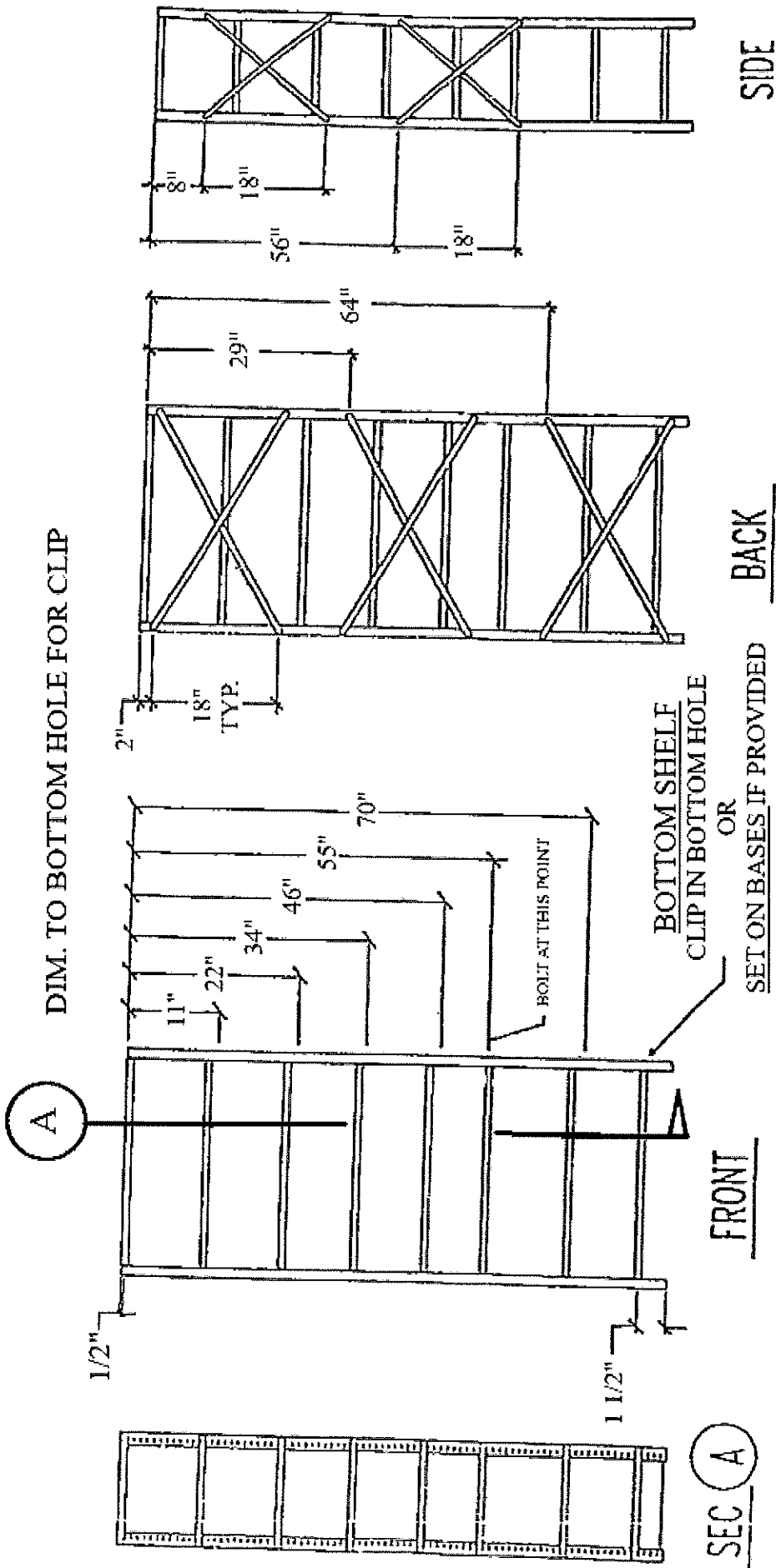
NOTICE AND DISCLAIMER

1. All shelving shipped in K.D. condition and Prison Industry Authority (PIA) will not be liable or held responsible for improper installation of this product.

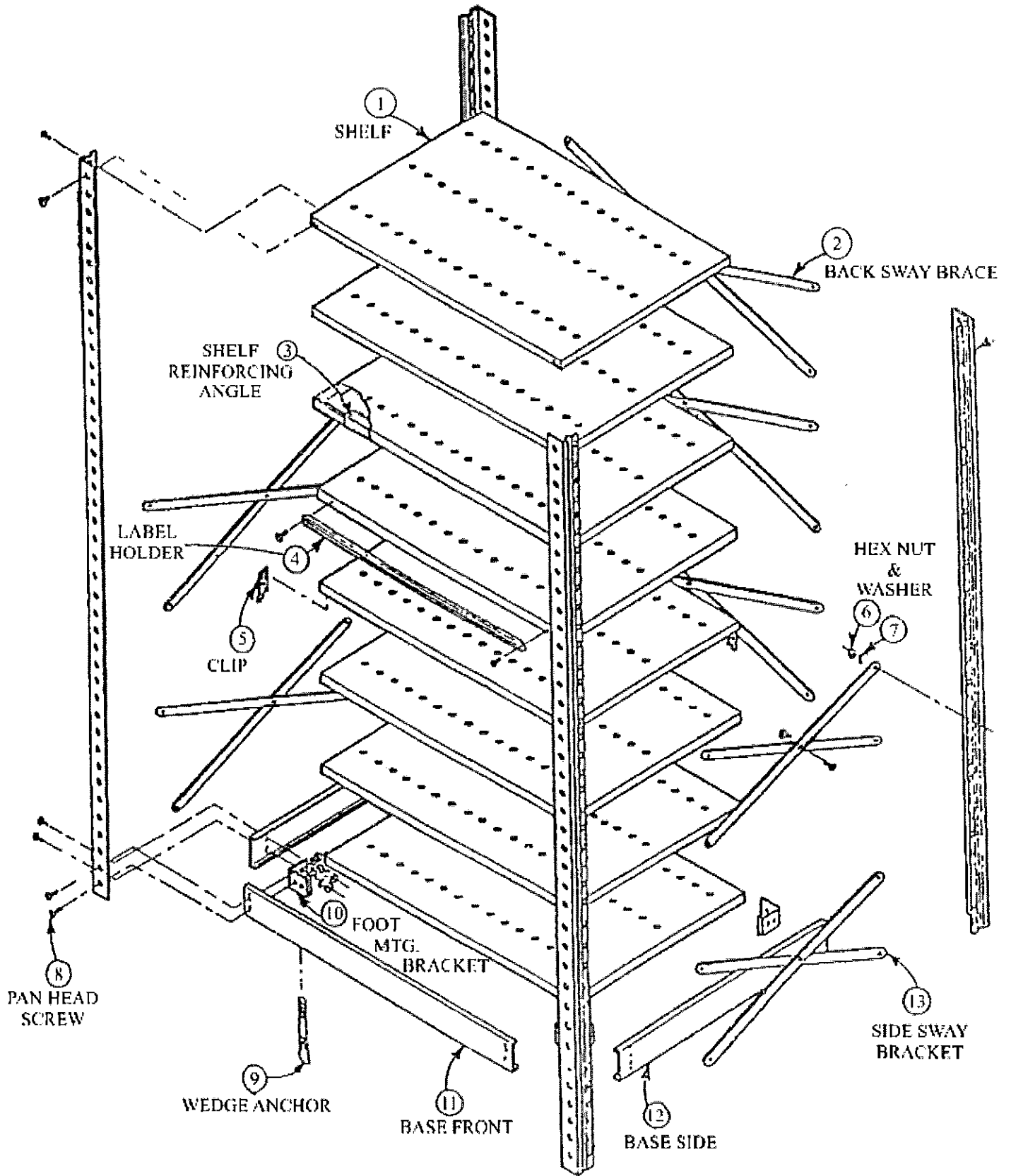
All Prison Industry Authority (PIA) supplied Steel Shelving over sixty inches (60”) in height must be installed, anchored, and secured to floor per the instructions in this manual. These specifications meet CALIFORNIA ADMINISTRATIVE CODE TITLE 24, PART 2, SECTION 2-2312 (EARTHQUAKE SAFETY) SEISMIC STANDARDS.

Specific hardware is enclosed with each unit and proper installation is the responsibility of the purchaser.

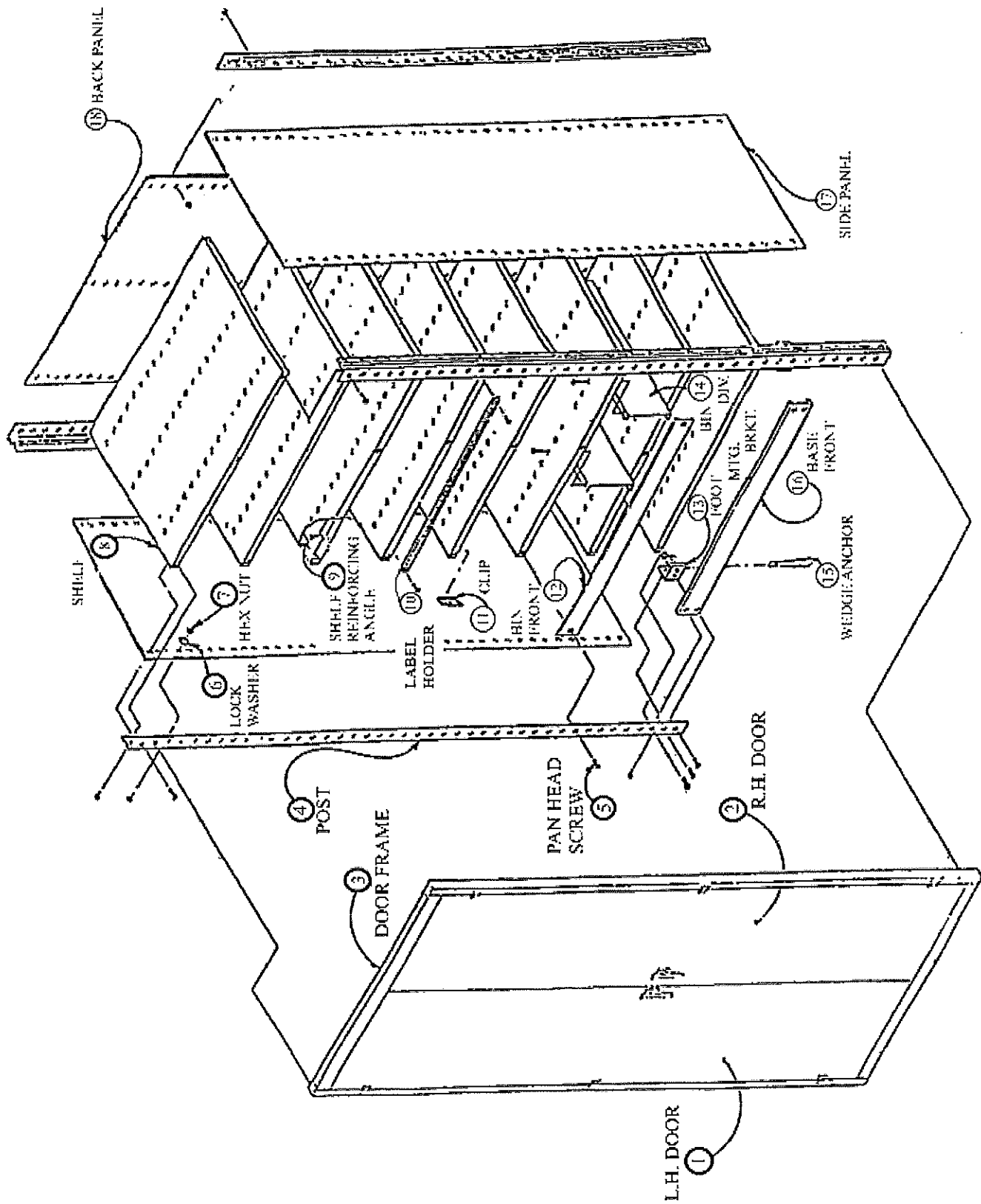
Refer to State Price Schedule No. 2-89-71-01 for prices.



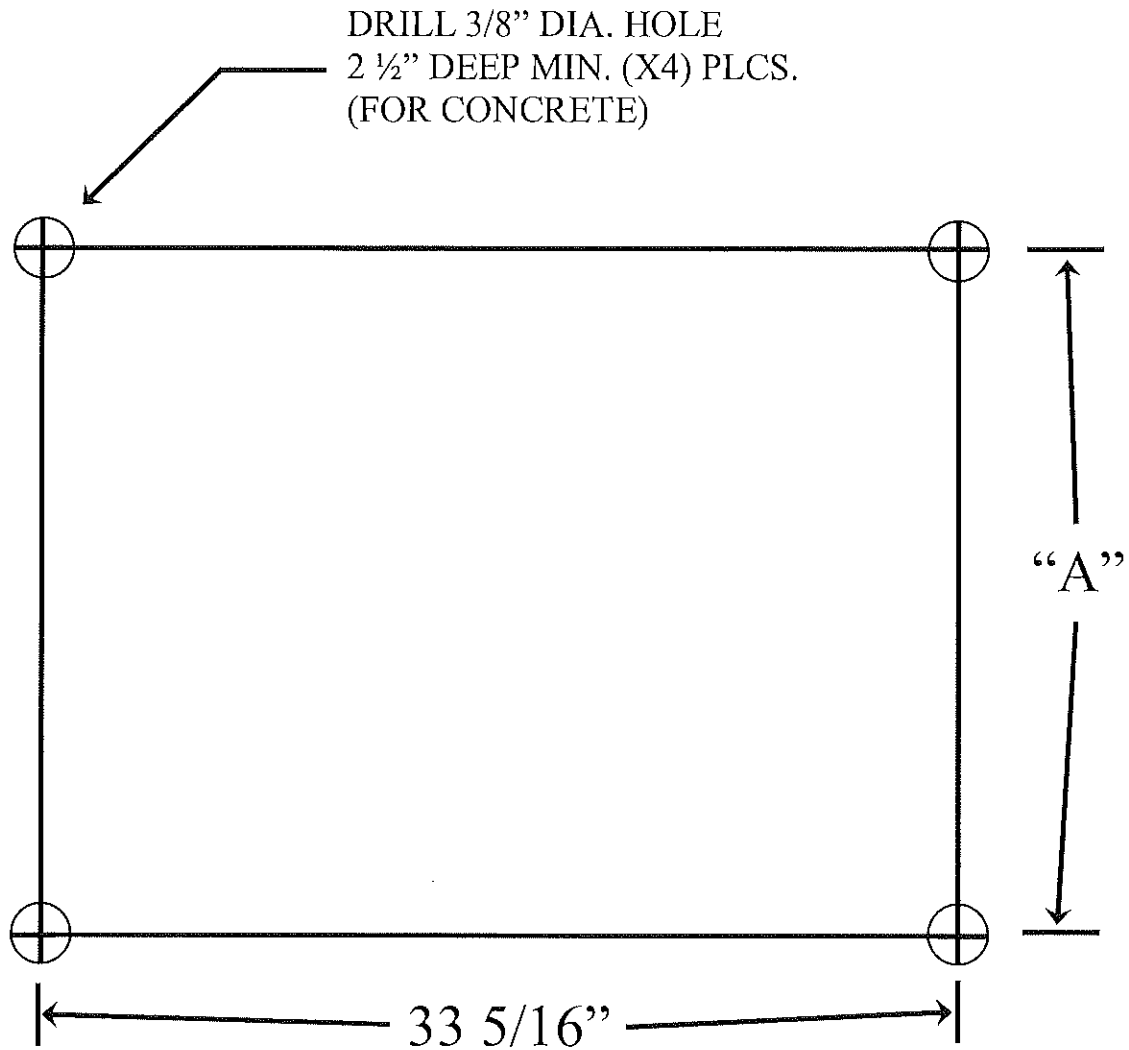
OPEN SHELF UNIT (BRACED)



SWAY BRACE



SOLID PANEL OPTION



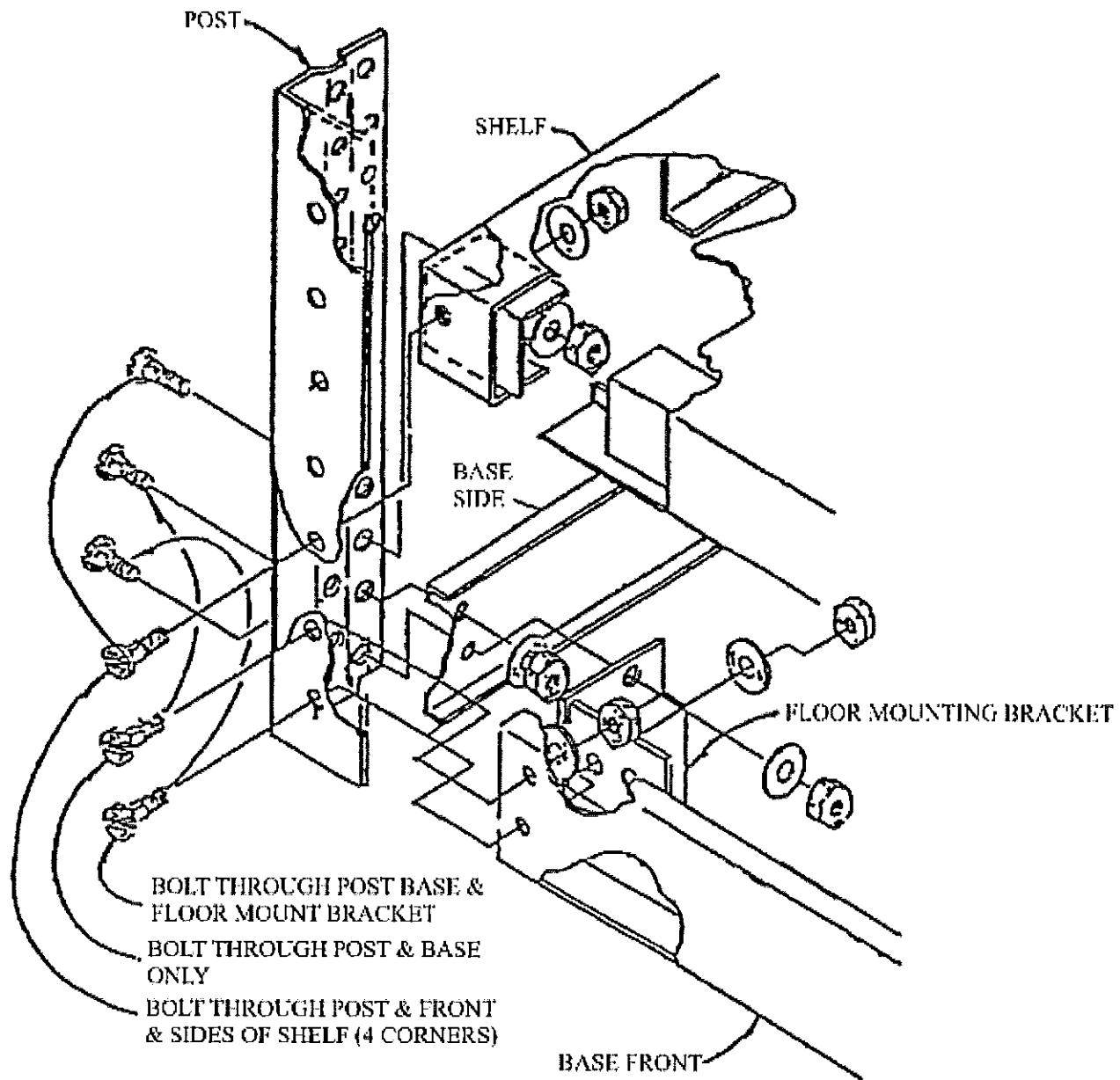
FLOOR BOLT HOLE PATTERN

SHELF SIZE	"A" DIM.
36" X 12" SHELF	9 - 11/16"
36" X 15" SHELF	12 - 11/16"
36" X 18" SHELF	15 - 11/16"
36" X 24" SHELF	21 - 11/16"

For anchorage to standard concrete floor, use 3/8"-16 X 3-3/4" wedge anchors to hold shelving to the floor. The wedge anchors must penetrate a minimum of 2 1/2" into the concrete floor to meet State of California seismic specifications.

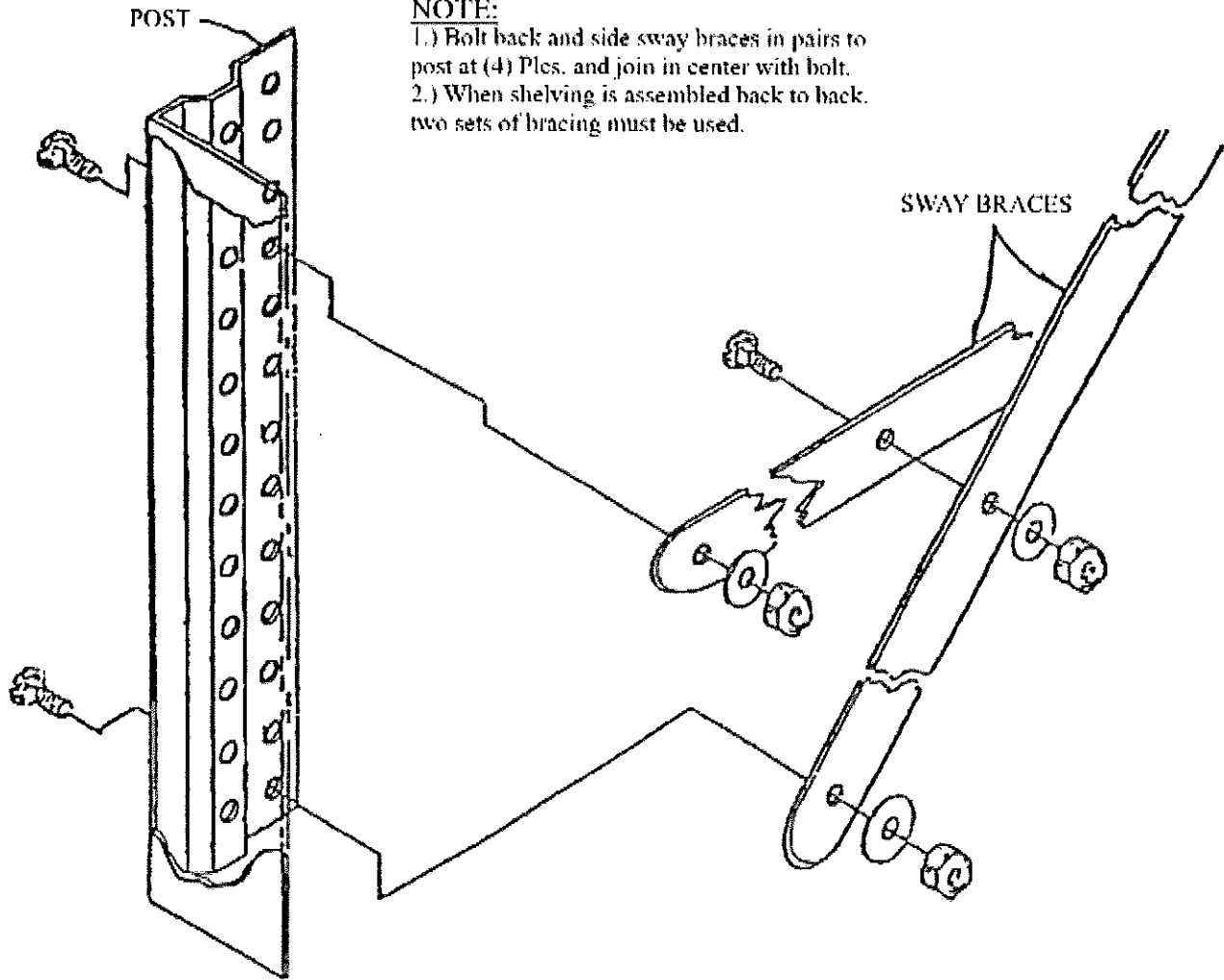
See page 5 for further floor bolting specifications.

FLOOR BOLT HOLE PATTERN



BASE AND SHELF

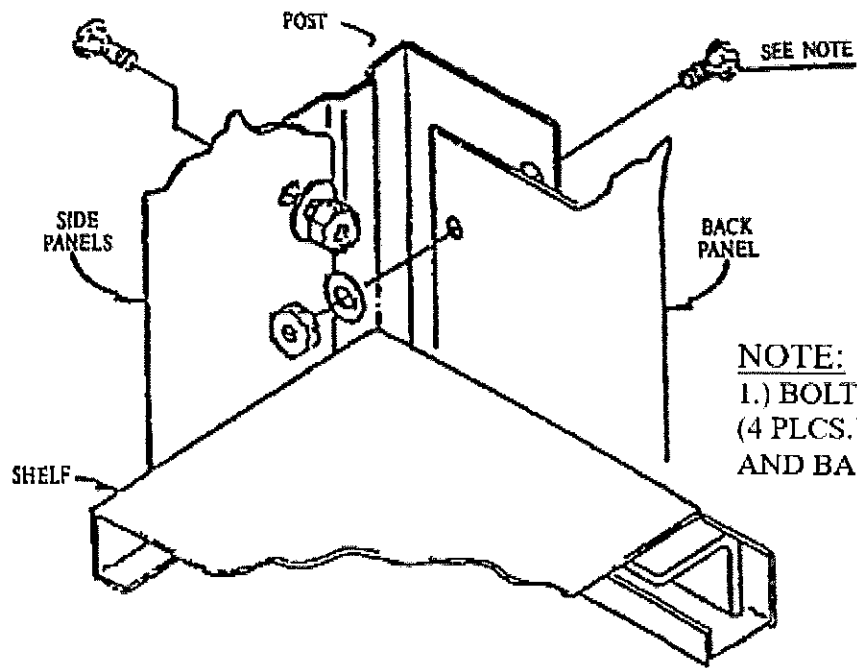
NOTE: All bolts are to be 1/4" -- 20 X 3/4" long Hex Head with lock washers and nuts.



NOTE:
1.) Bolt back and side sway braces in pairs to post at (4) Ples. and join in center with bolt.
2.) When shelving is assembled back to back, two sets of bracing must be used.

SWAY BRACKET

NOTE: All bolts are to be 1/4" -- 20 X long Hex Head with lock washers and nuts.



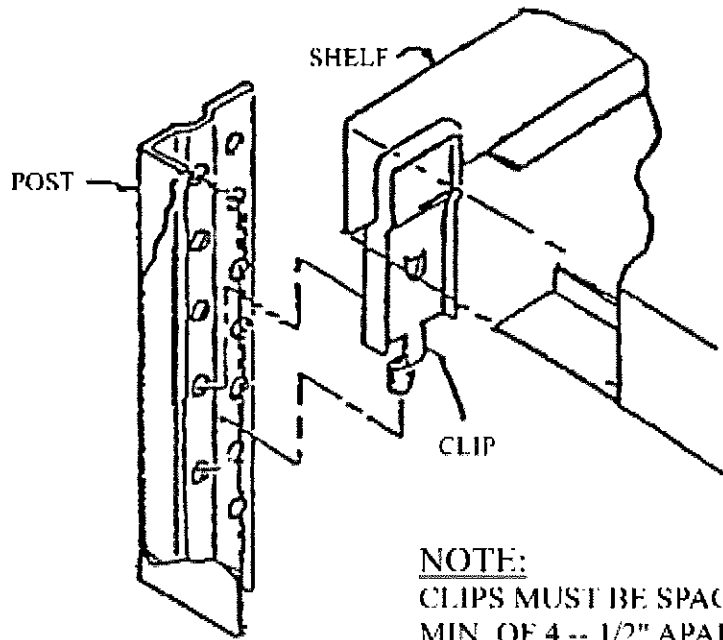
NOTE:

1.) BOLT THROUGH POST AND PANEL (4 PLCS.) EVENLY SPACED TYP. SIDES AND BACK

SOLID PANEL

NOTE: All bolts are to be 1/4" -- 20 X long Hex Head with lock washers and nuts.

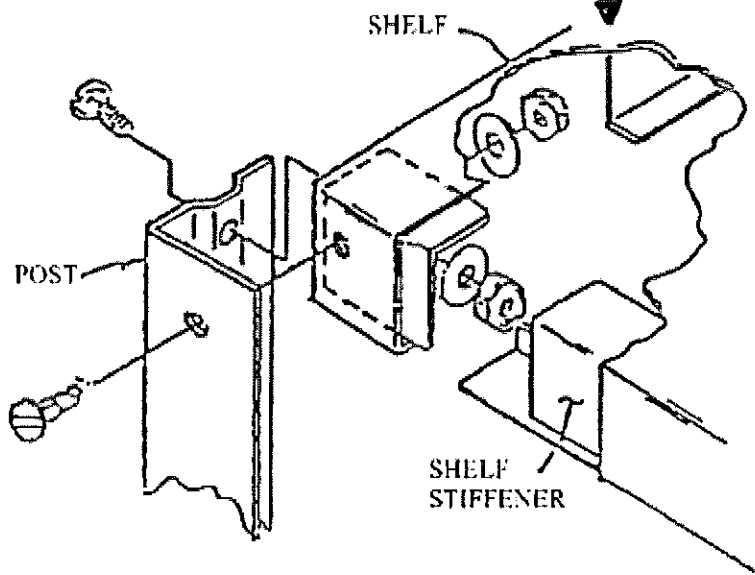
SOLID PANEL VIEW



NOTE:
CLIPS MUST BE SPACED A
MIN. OF 4 -- 1/2" APART.

ADJUSTABLE CLIP

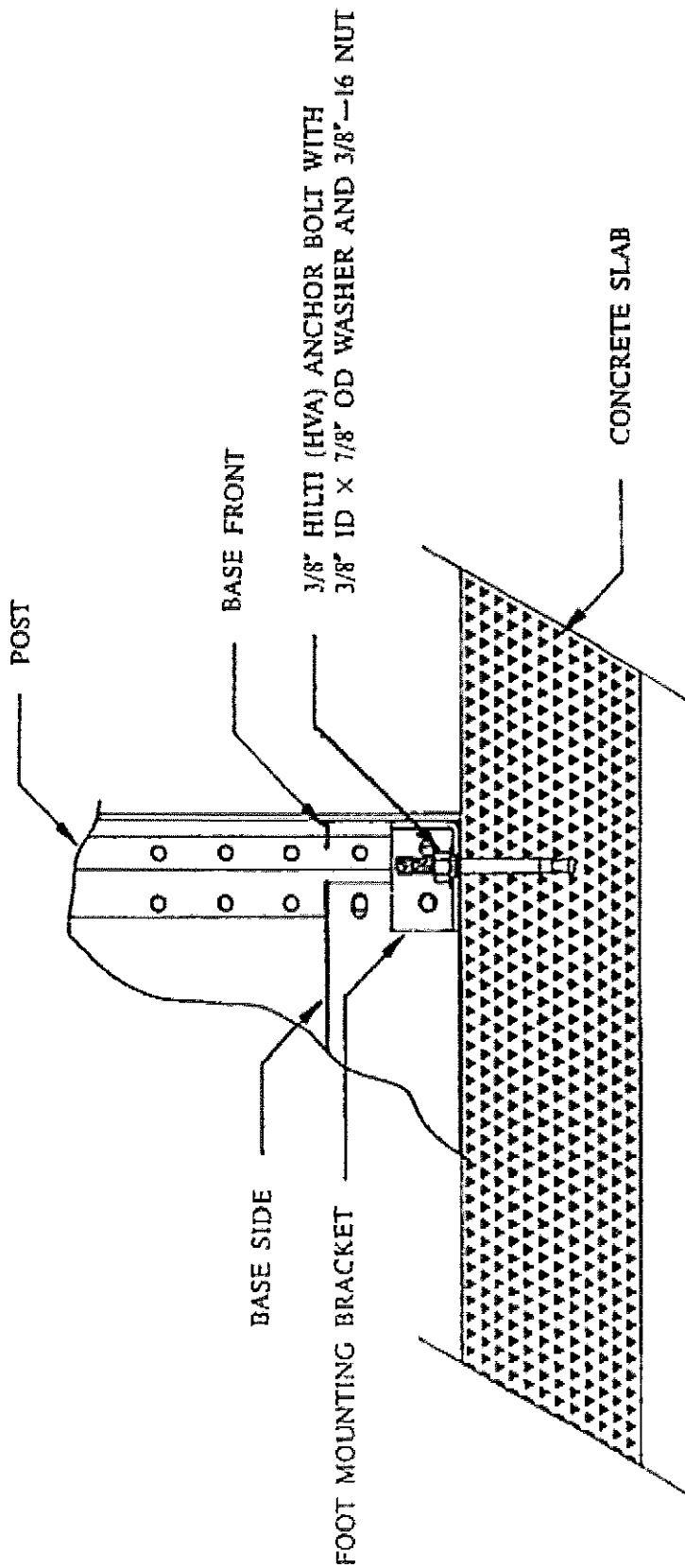
SHELF ATTACHMENT OPTIONS



NOTE:
TOP SHELF MUST BE
BOLTED IN PLACE.

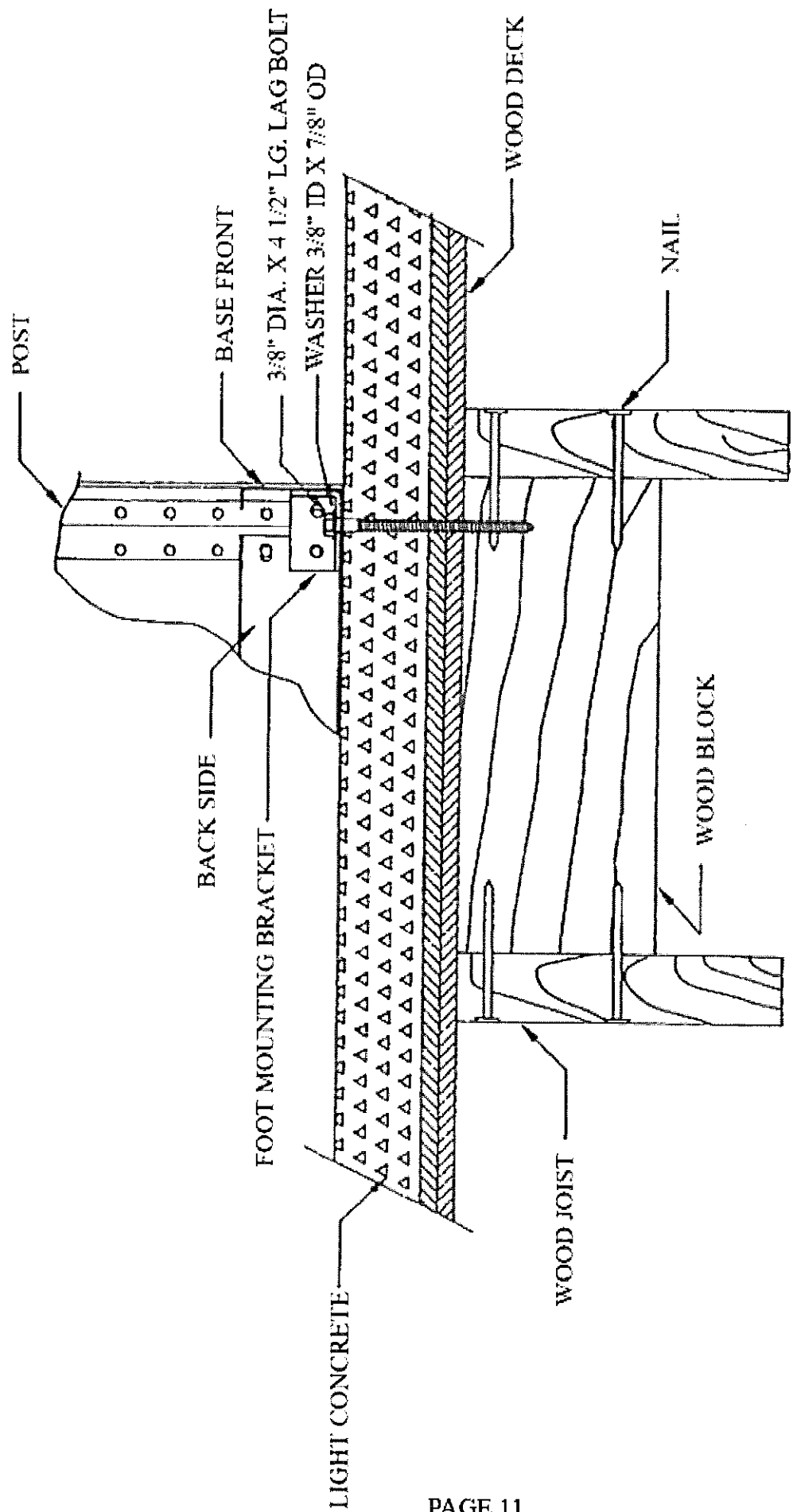
OPTIONAL SHELF BOLT UP

NOTE: All bolts are to be 1/4" -- 20 X 3/4" long Hex Head with lock washers and nuts.

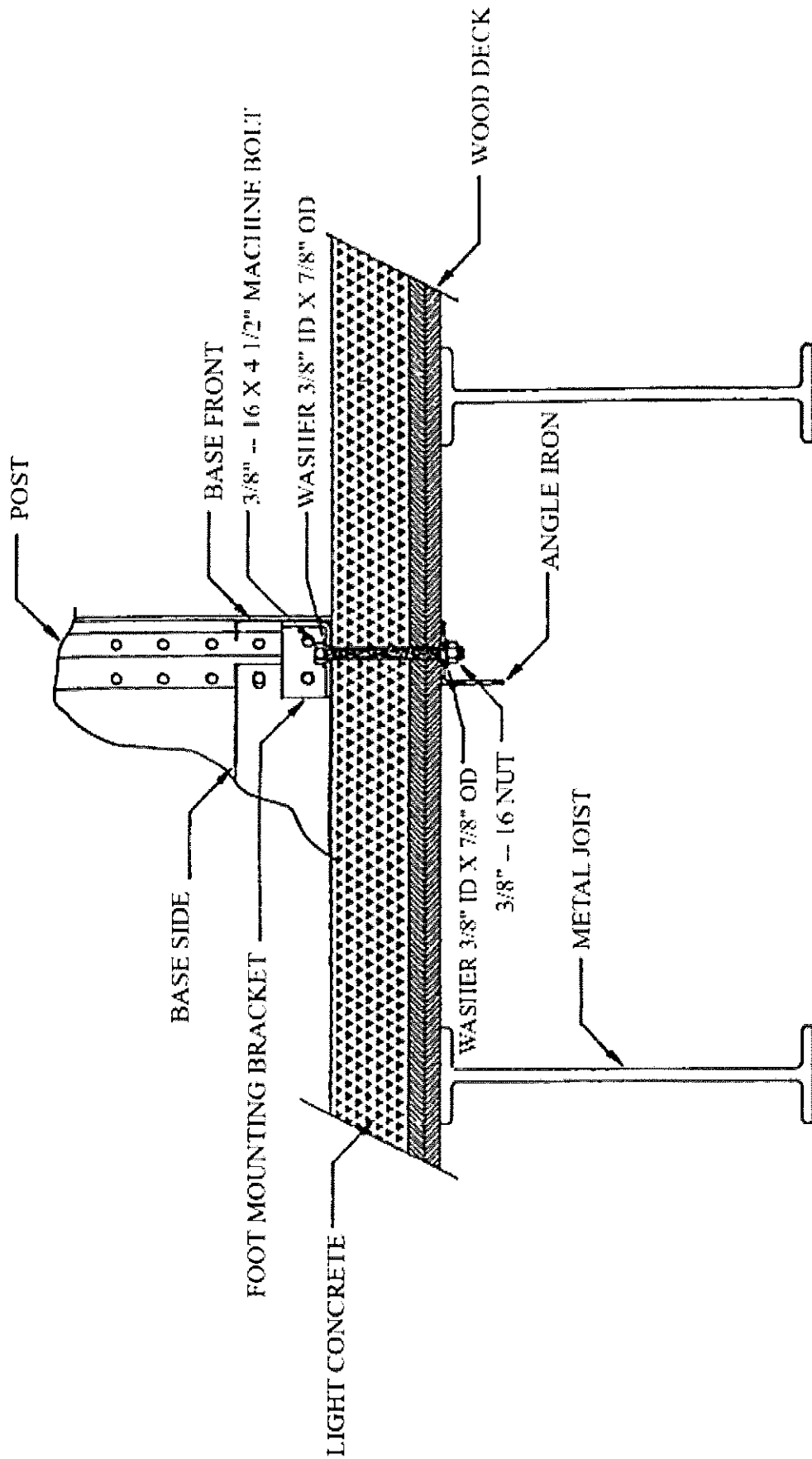


CONCRETE FLOOR: When standard concrete slab flooring is provided, use 3/8" diameter Hilti (HVA) expansion anchor bolts which penetrate a minimum of 2 1/2" into concrete.

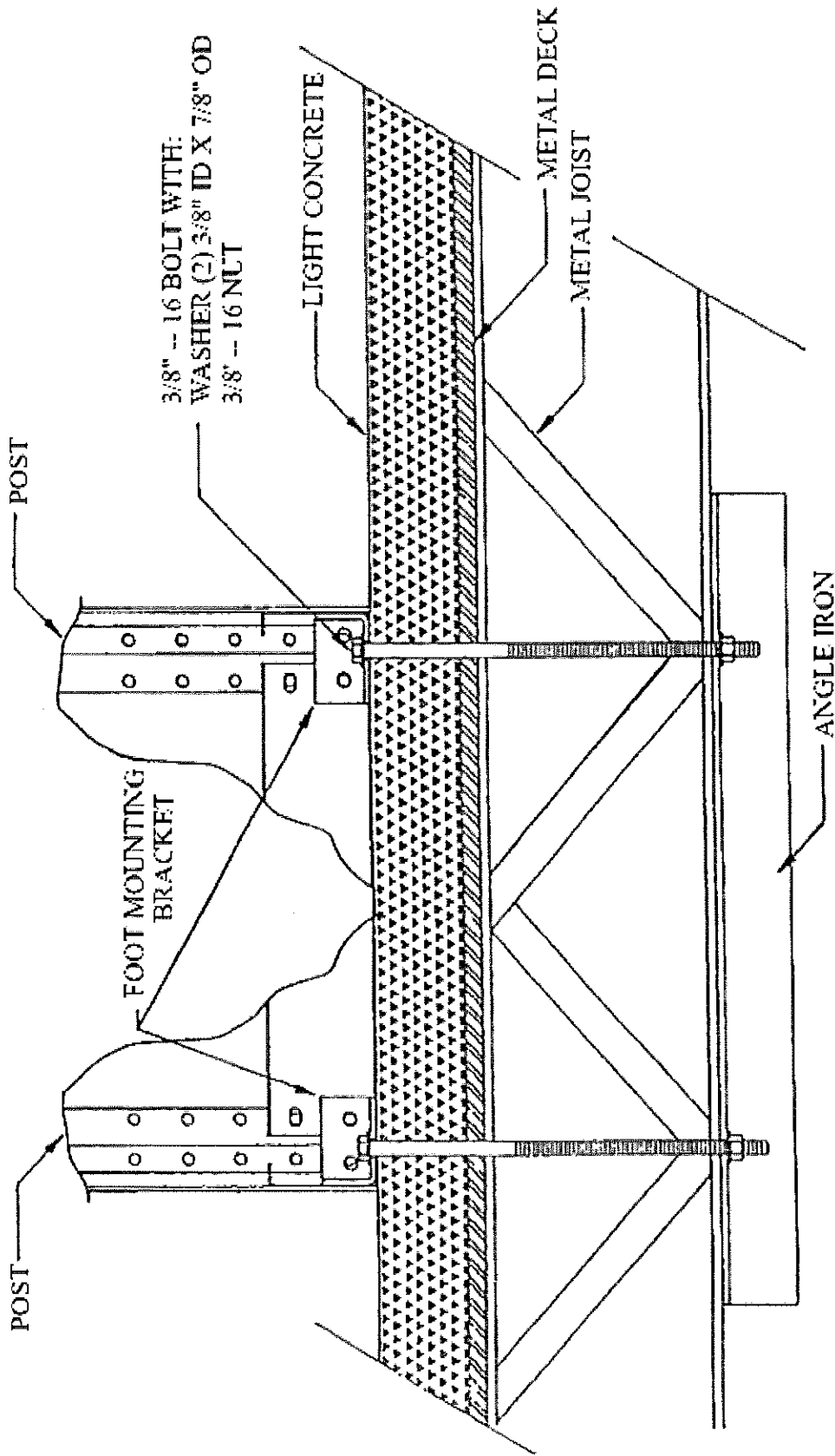
FLOOR ANCHORING DETAIL—CONCRETE



WOOD DECK/WOOD JOIST: Anchorage for the shelving to the floor where concrete fill is provided over wood shall be provided with a 3/8" diameter lag bolt which is long enough to penetrate through the concrete fill and be anchored into the wood joist or blocking at least 1". Do not anchor to floor sheathing. Must penetrate joist or blocking.



WOOD DECK/METAL JOIST: Anchorage for the shelving to the floor where concrete fill is provided over plywood shall be provided with a 3/8" diameter bolt which penetrates through the concrete fill and plywood and is anchored on the underside of the plywood with a 2" X 2" X 3/16" angle iron which is at least 12" long, installed parallel to the floor joist.



METAL DECK/METAL JOIST: Anchorage for the shelving to the floor where concrete fill is provided over metal deck shall be provided with a 3/8" diameter bolt which penetrates through the concrete fill and metal deck and is anchored to the underside of the metal joist with a 2" X 2" X 3/16" angle iron which spans at least two (2) flutes of the metal joist.

FLOOR ANCHORING DETAIL -- METAL DECK/METAL JOIST